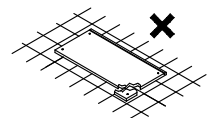
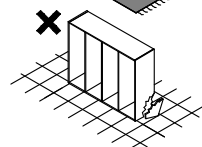
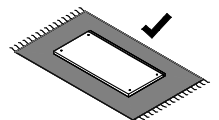
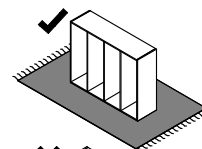
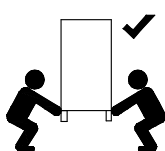
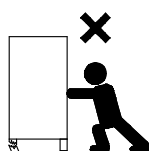
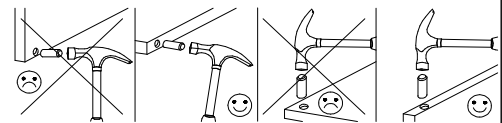
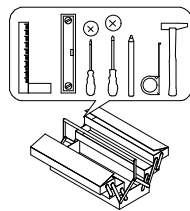
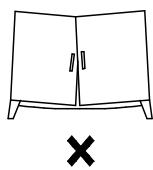
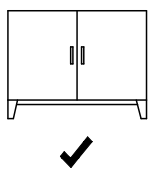
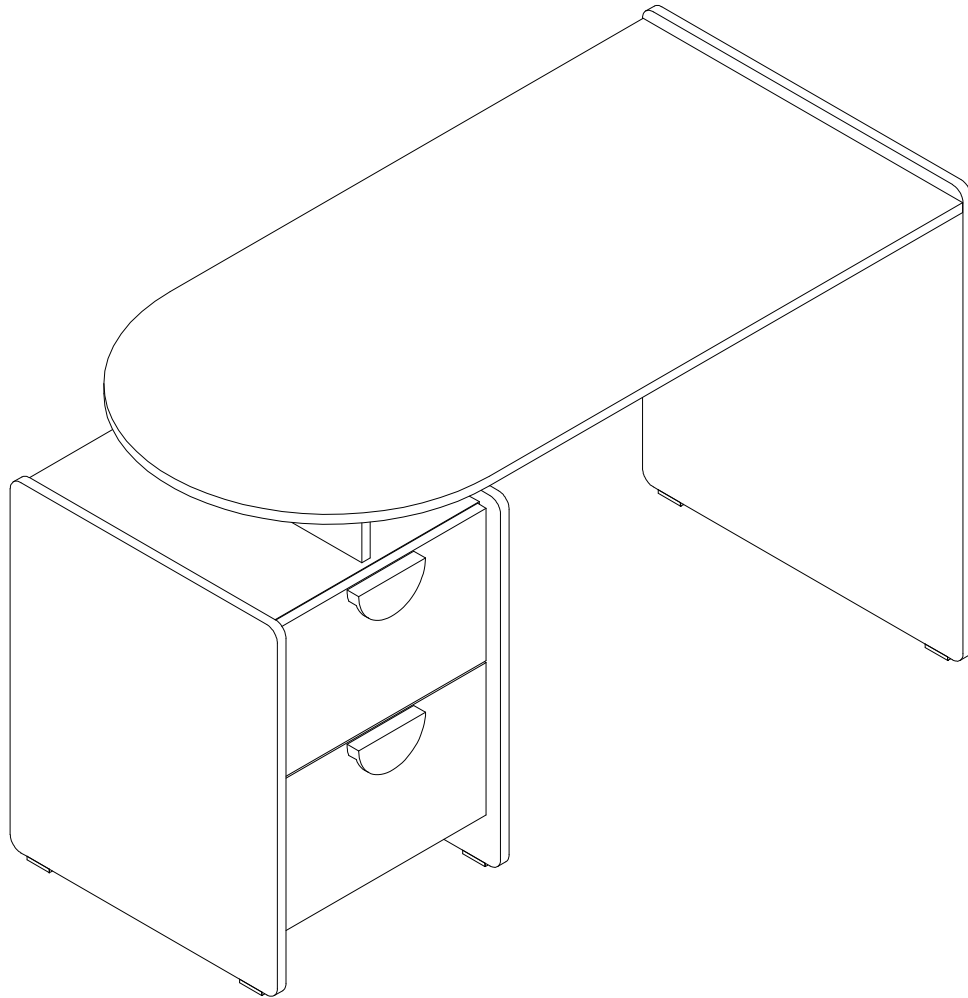
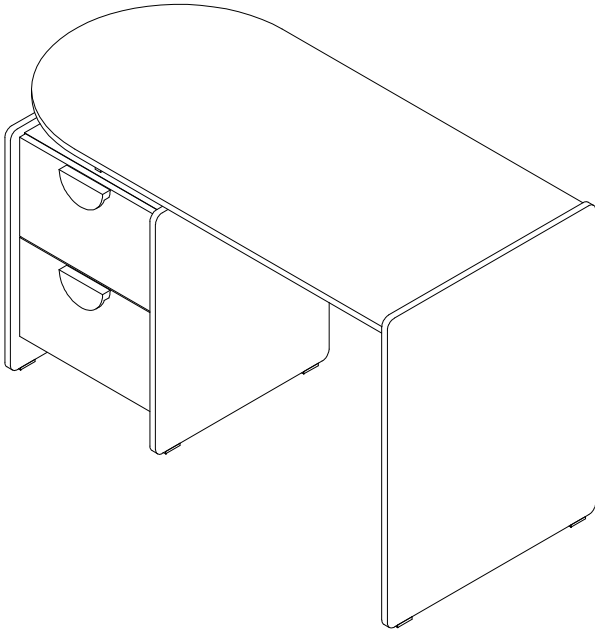


LEXI R-12

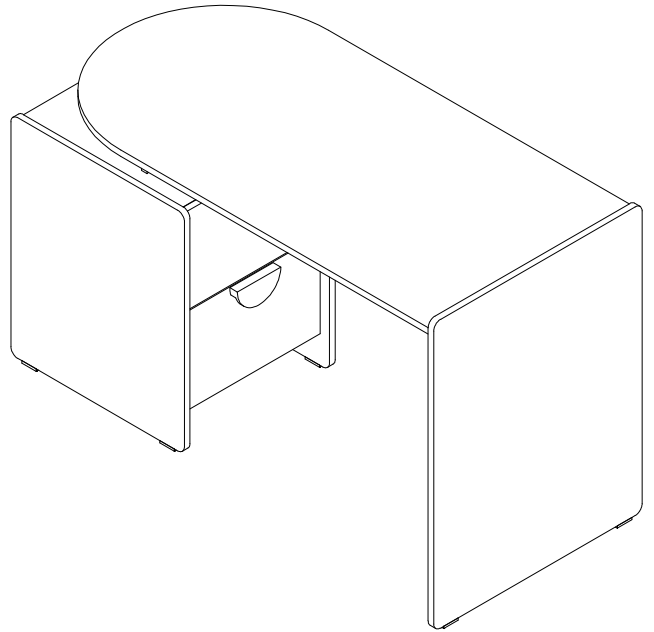


Options

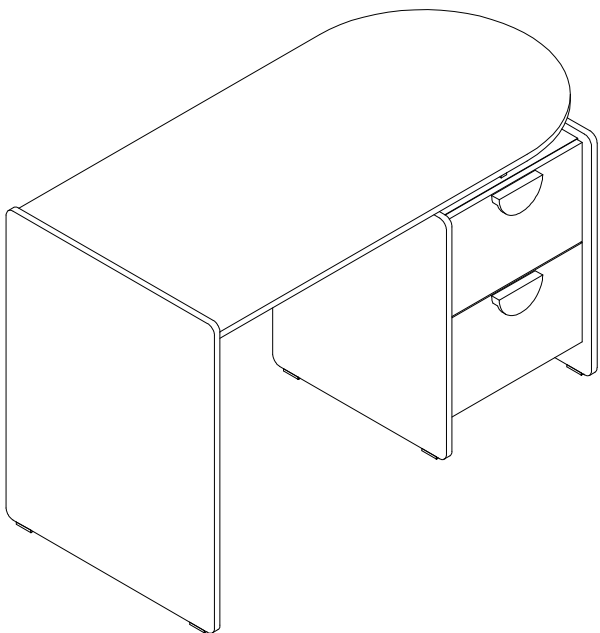
L



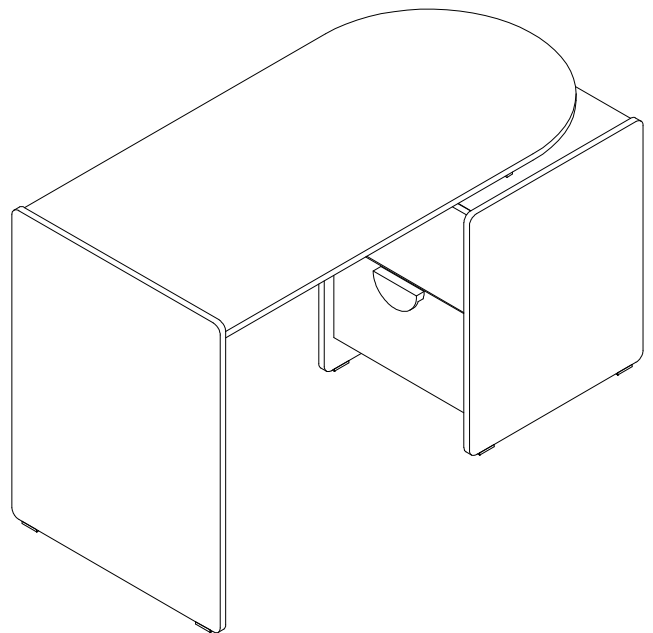
L2

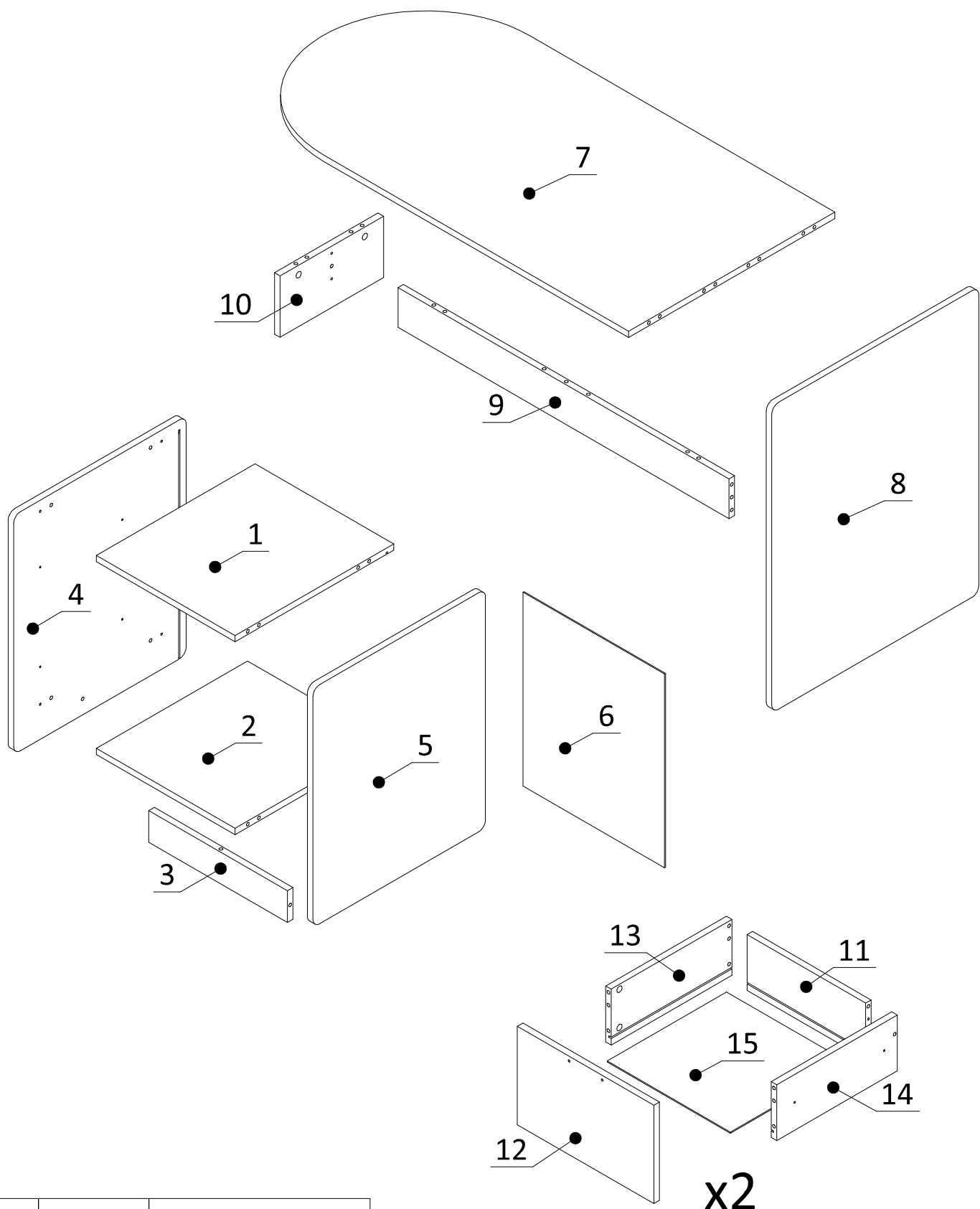




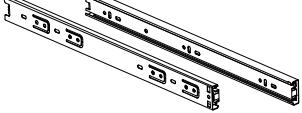
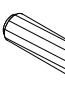
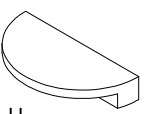





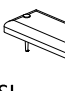

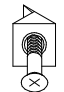
R



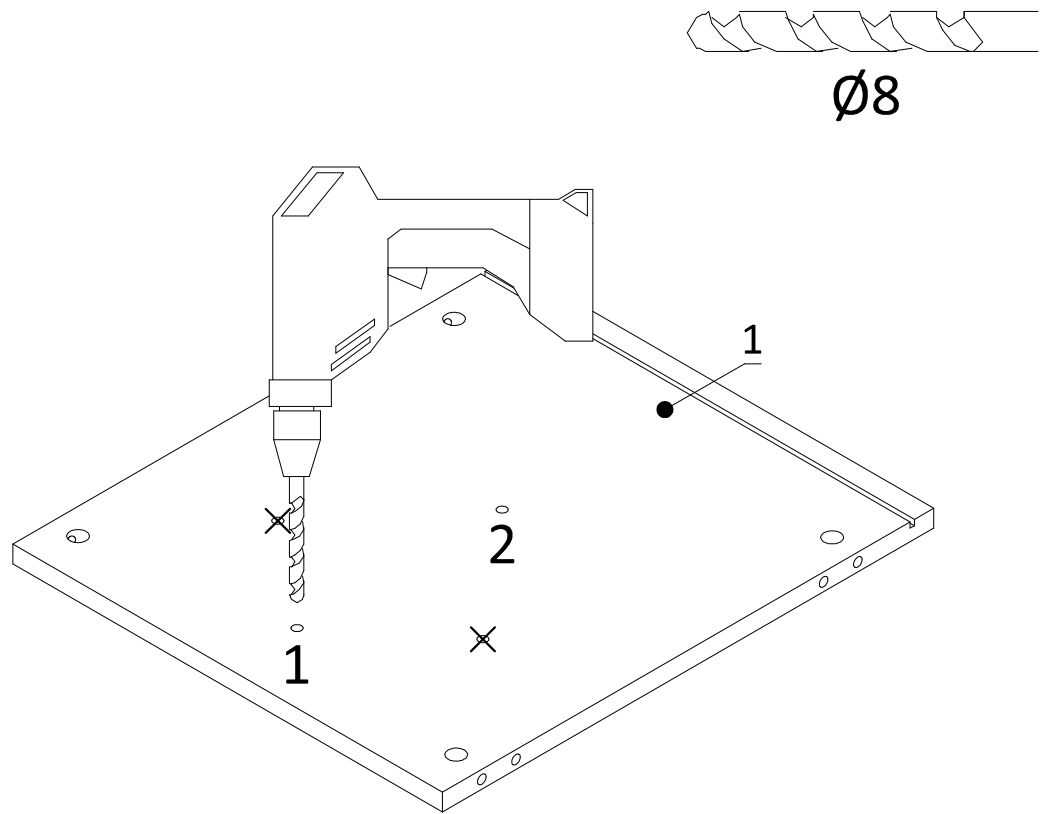
R2



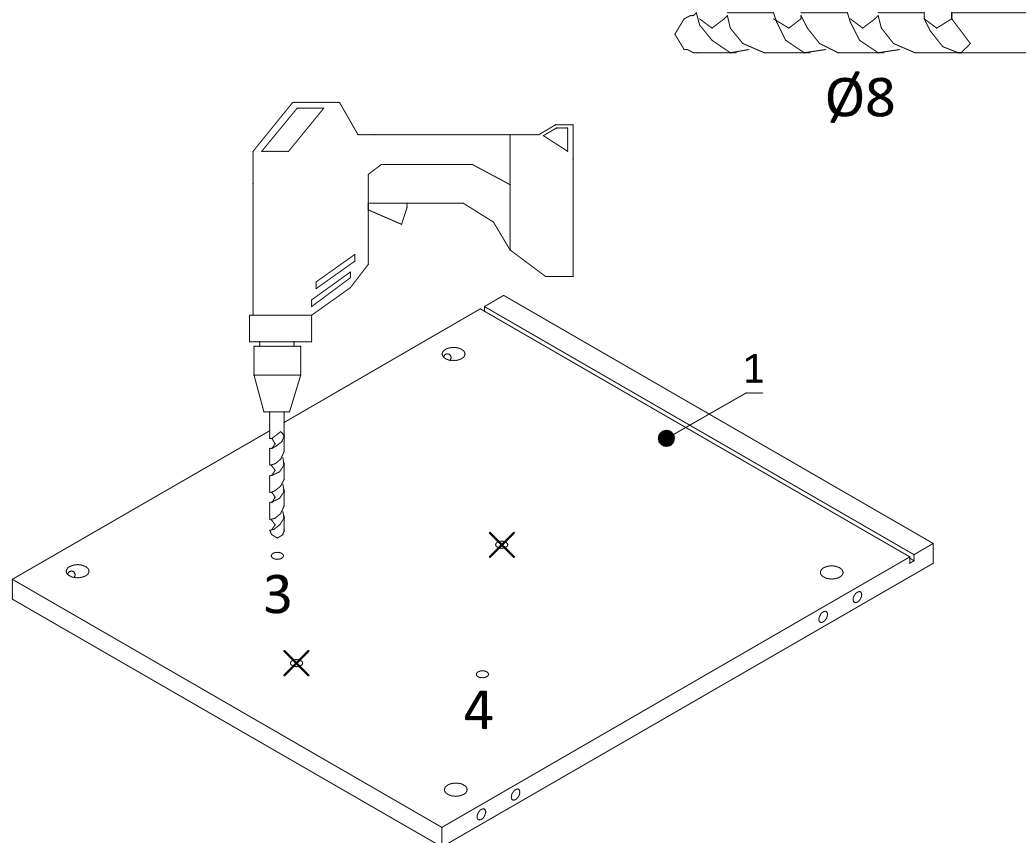
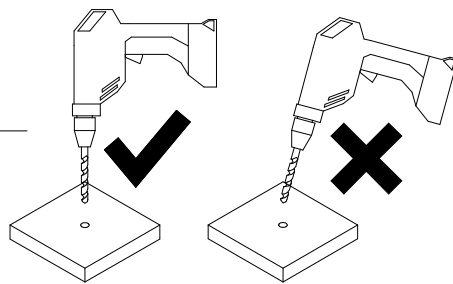


 15/12 M	 L20,3 T	 2x PK-0H35-350							
29x	29x								
 8x30 K	 U	 5x13 E1	 4x30 W6	 7x50 KF	 SW4 KL	 ZM	 SL	 2x20 G	 S
35x	2x	16x	4x	6x	1x	29x	6x	4x	3x


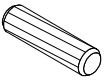
1 Option L, R

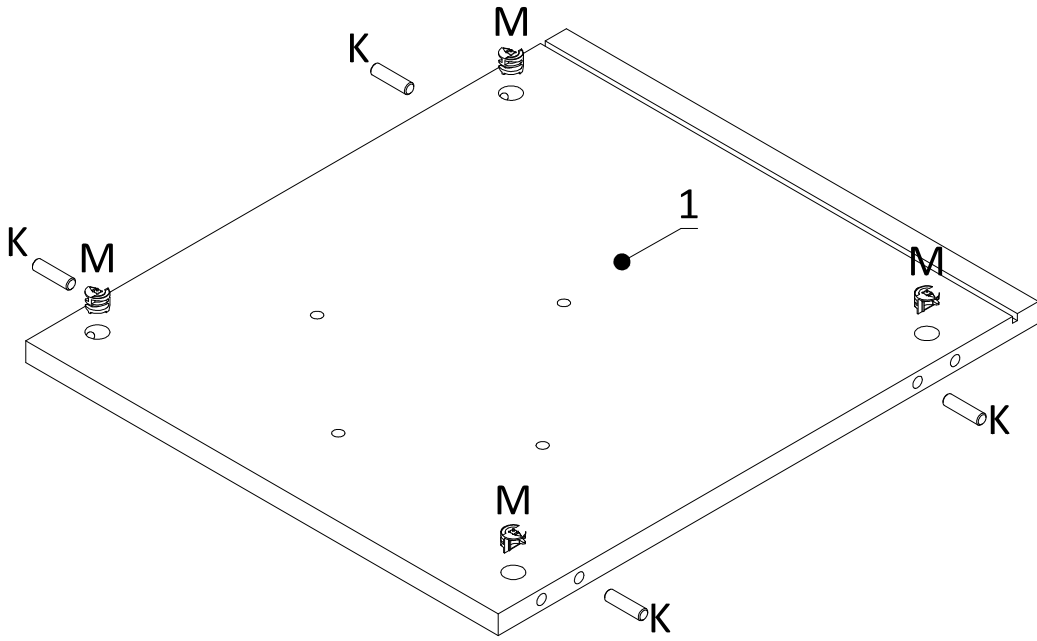


1 Option L2, R2

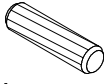
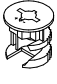


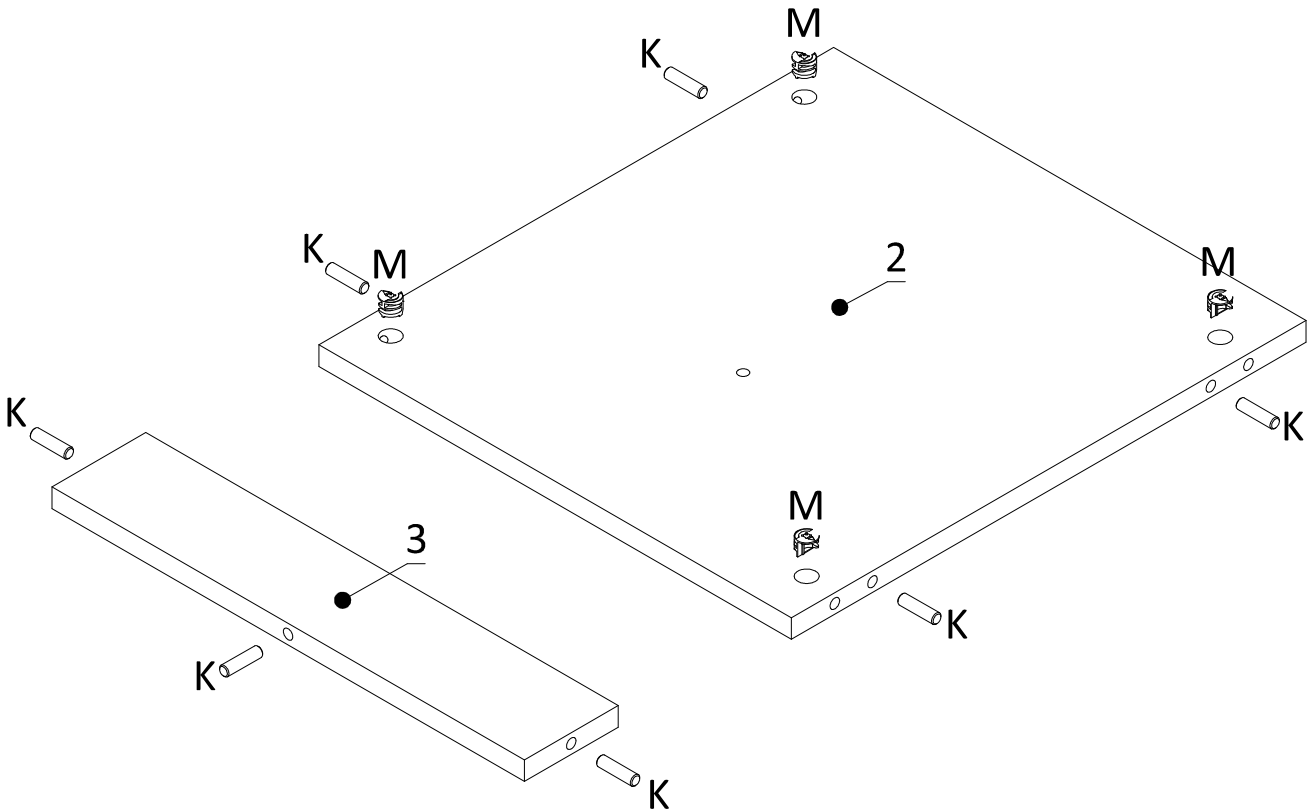
2

	
M	K
4x	4x

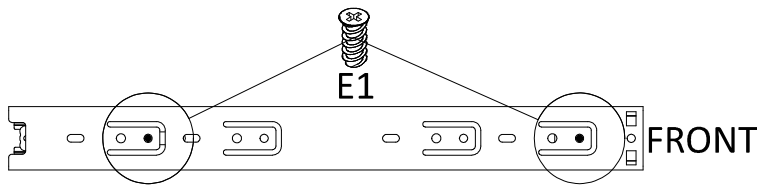
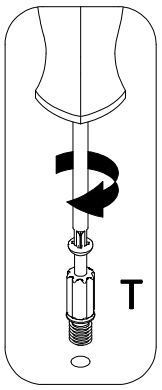


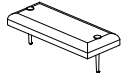

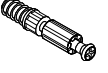
3

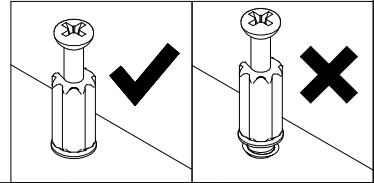
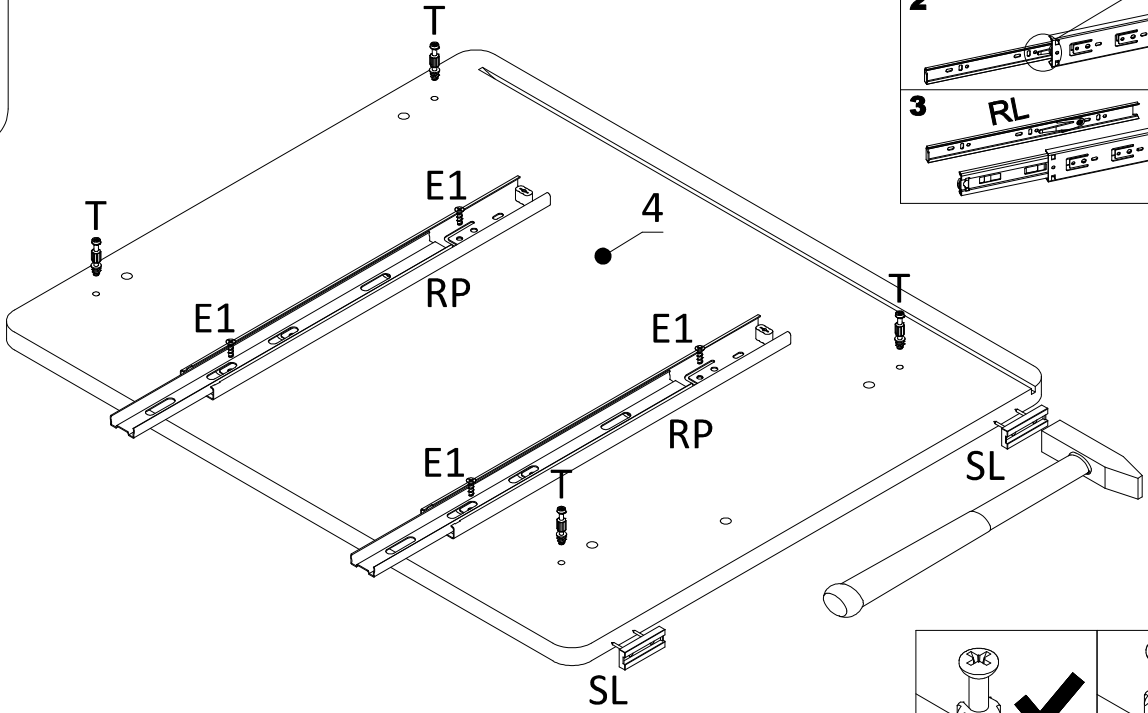
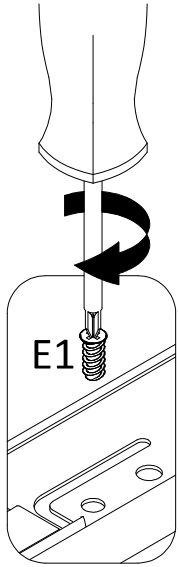
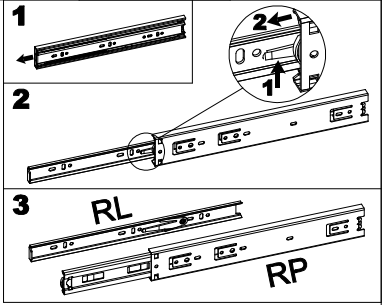
	
K	M
7x	4x



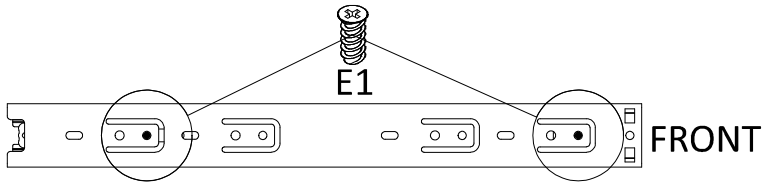
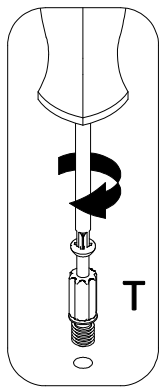
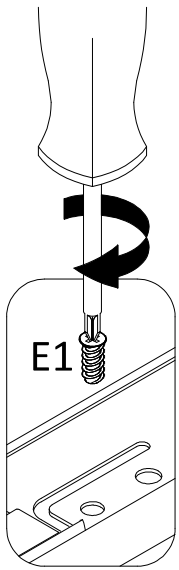
4

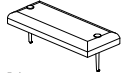

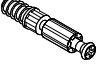


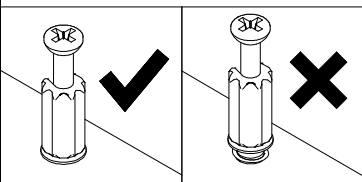
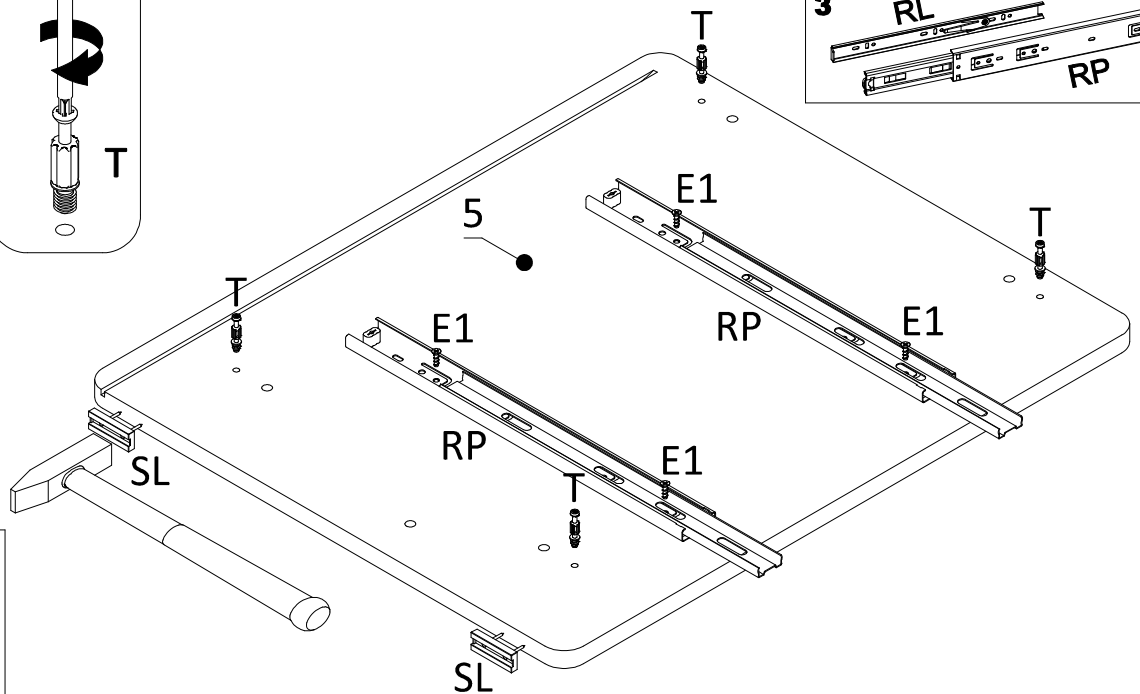
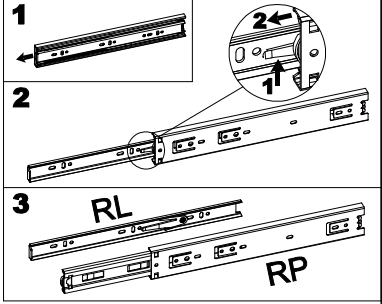
		
SL	E1	T
2x	4x	4x



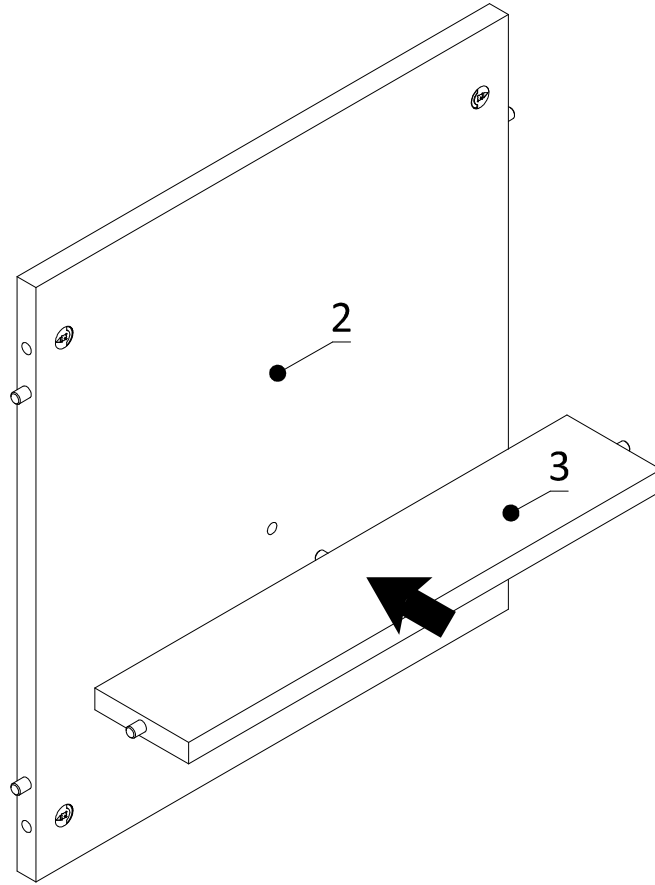
5



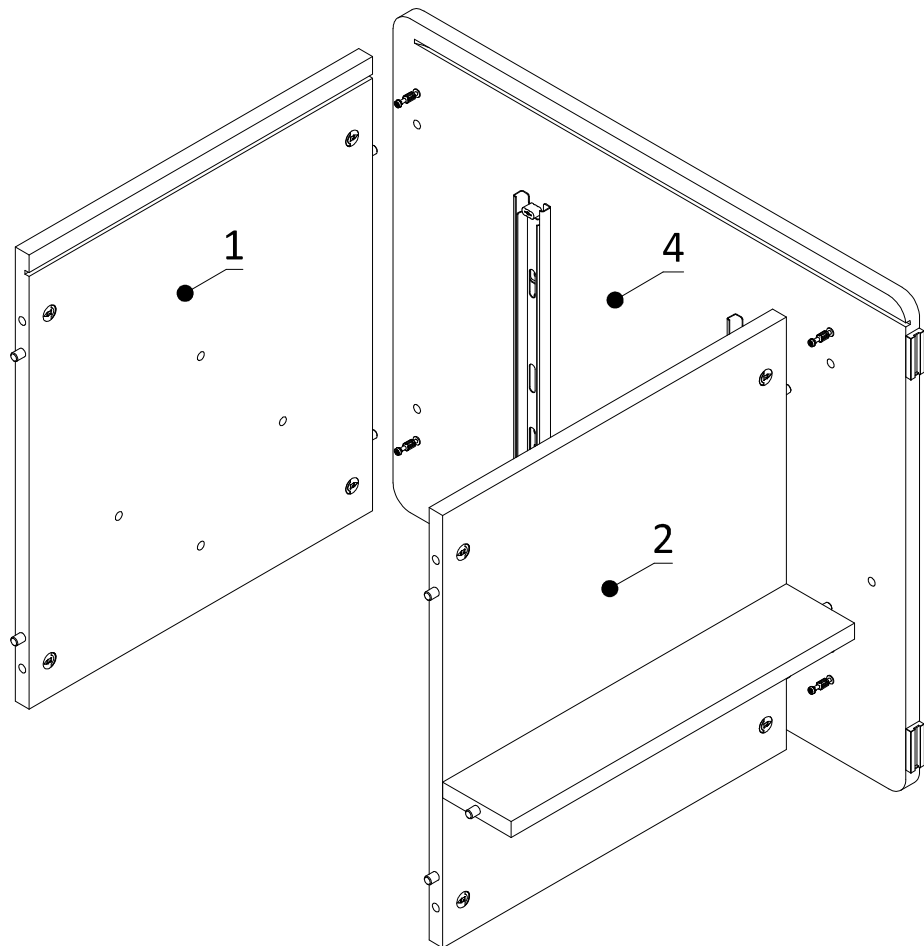
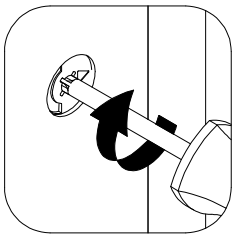
		
SL	E1	T
2x	4x	4x



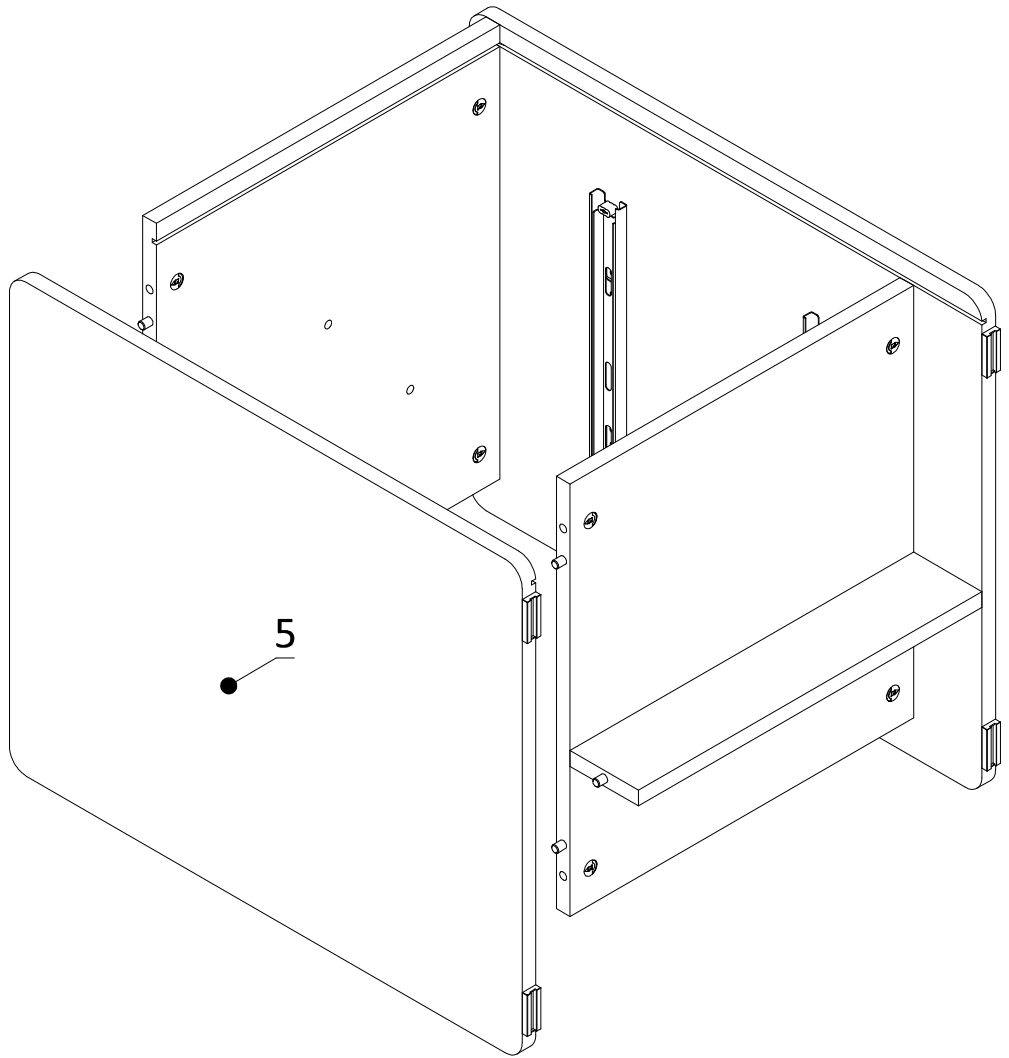
6



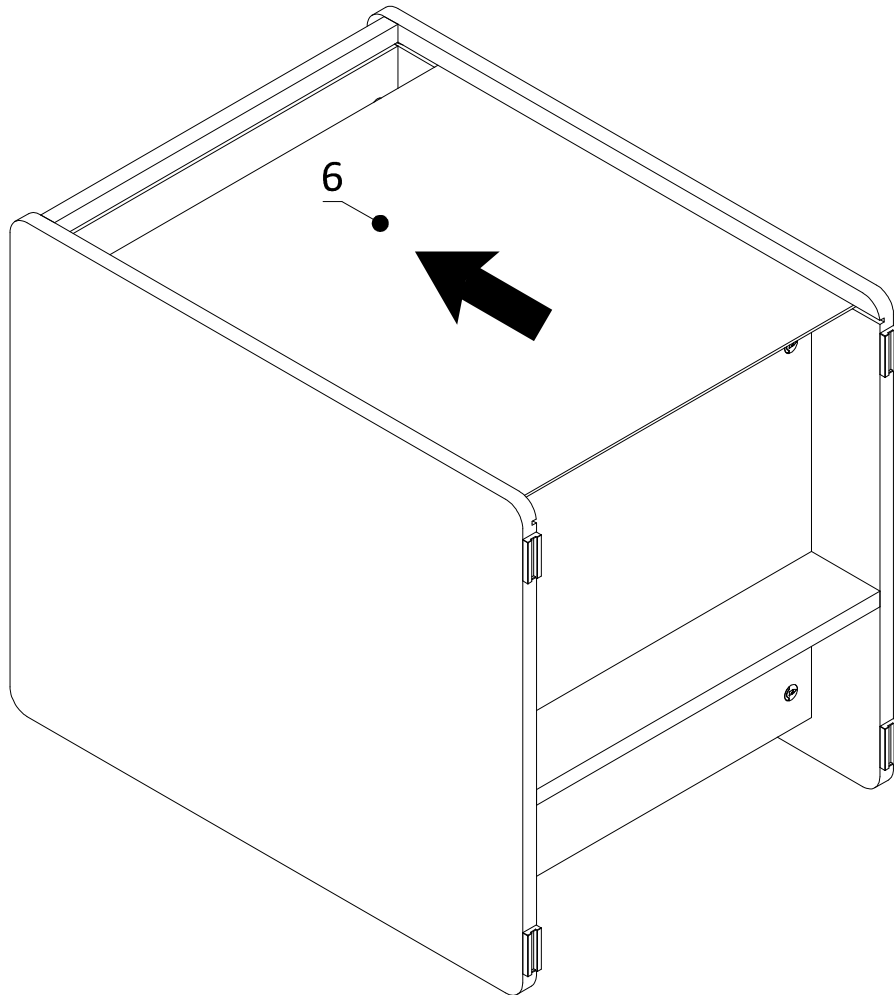
7



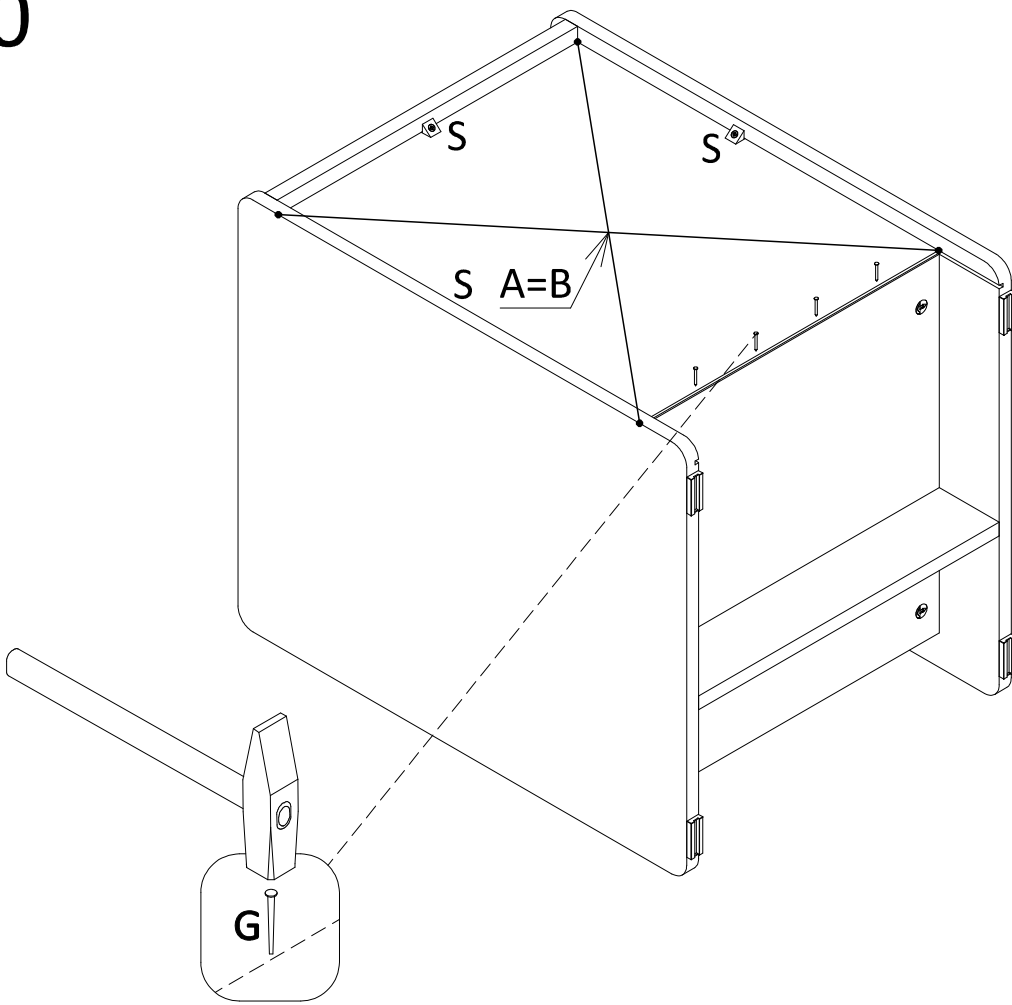
8





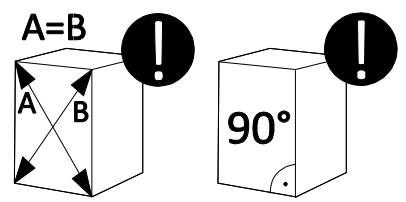
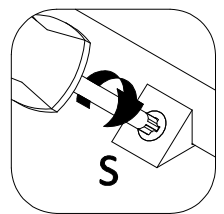
9



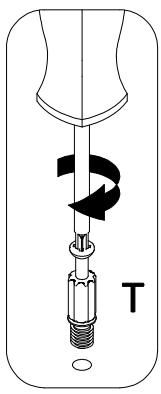
10

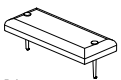
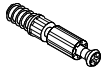


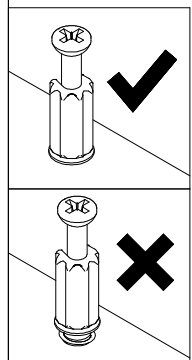
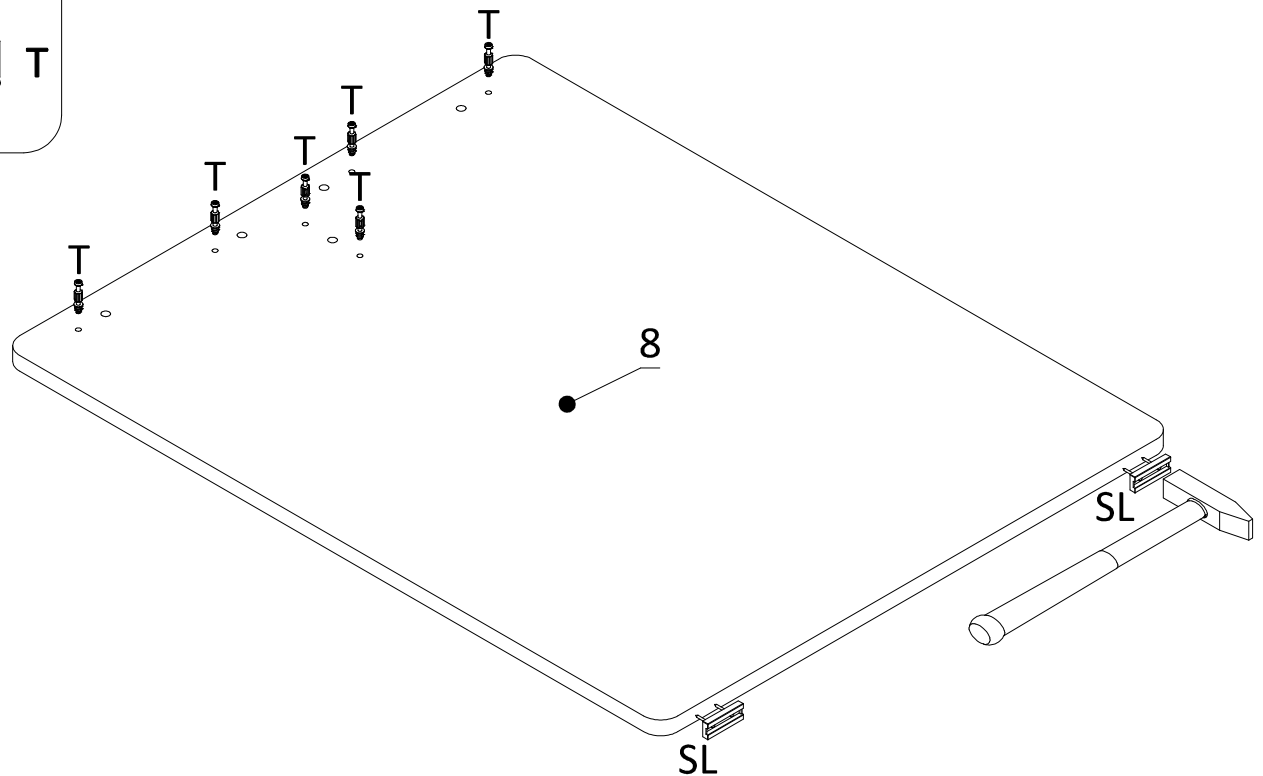
	
S	G
3x	4x



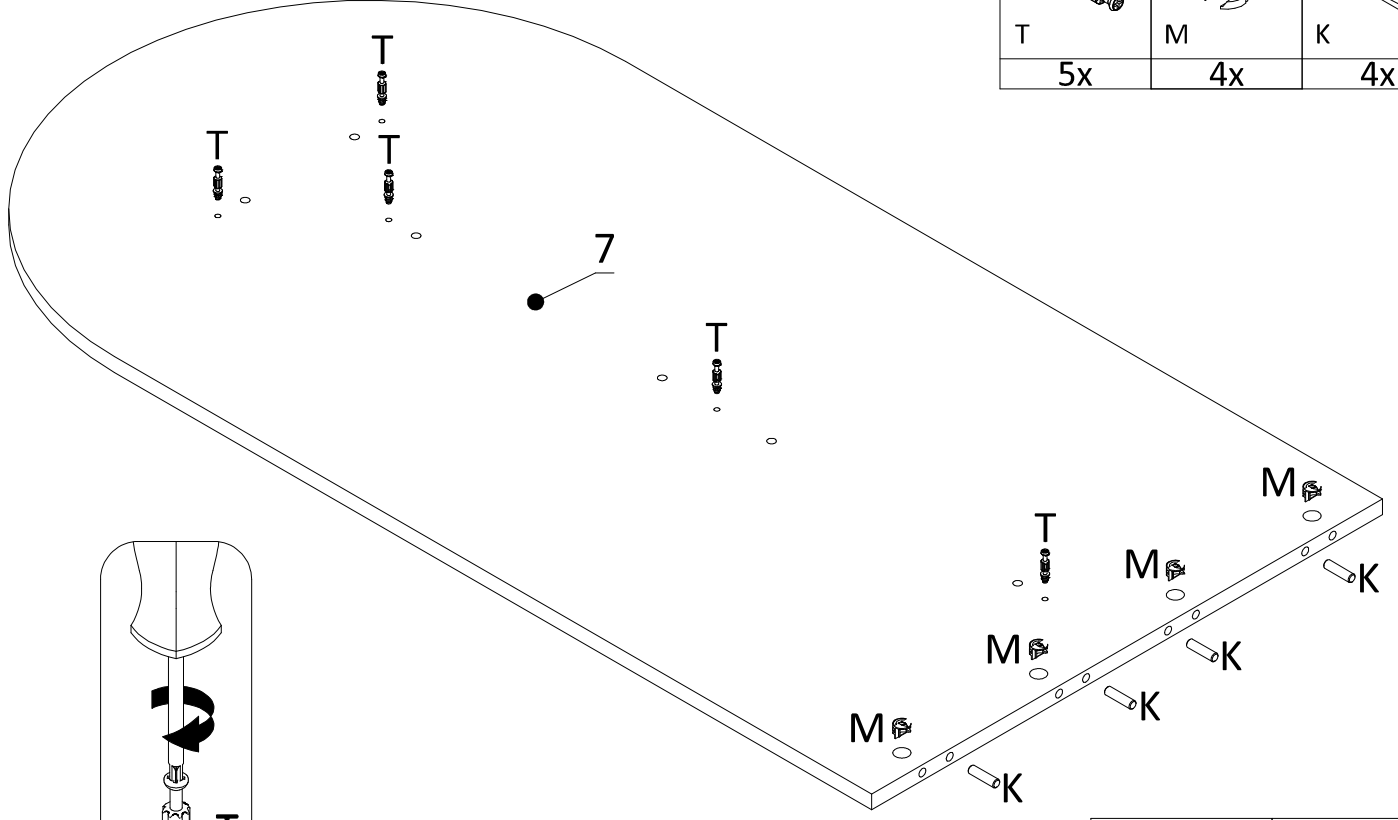
11

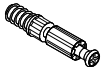

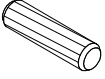


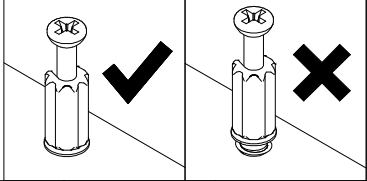
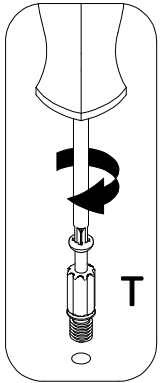
	
SL	T
2x	6x



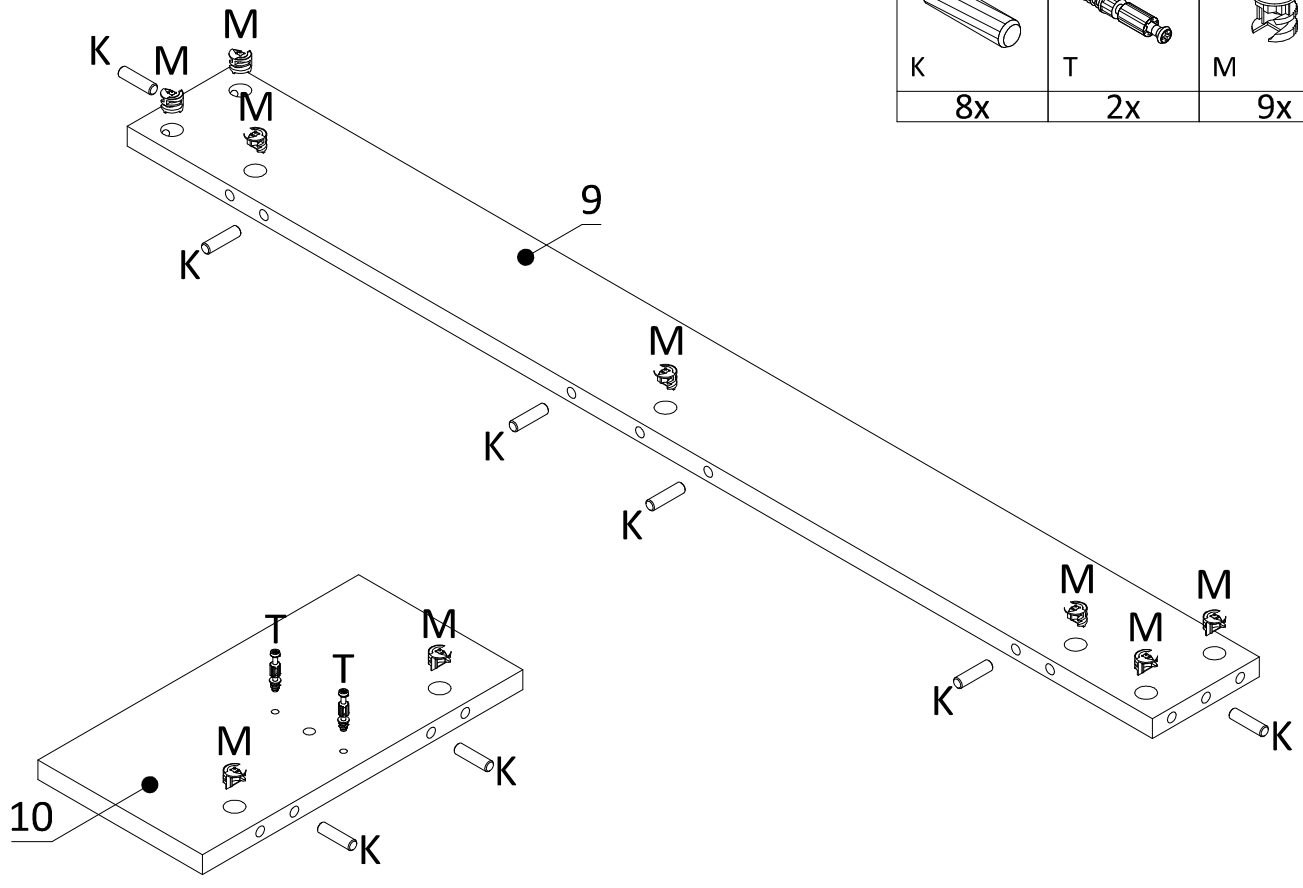
12

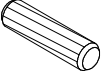
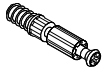



		
T	M	K
5x	4x	4x

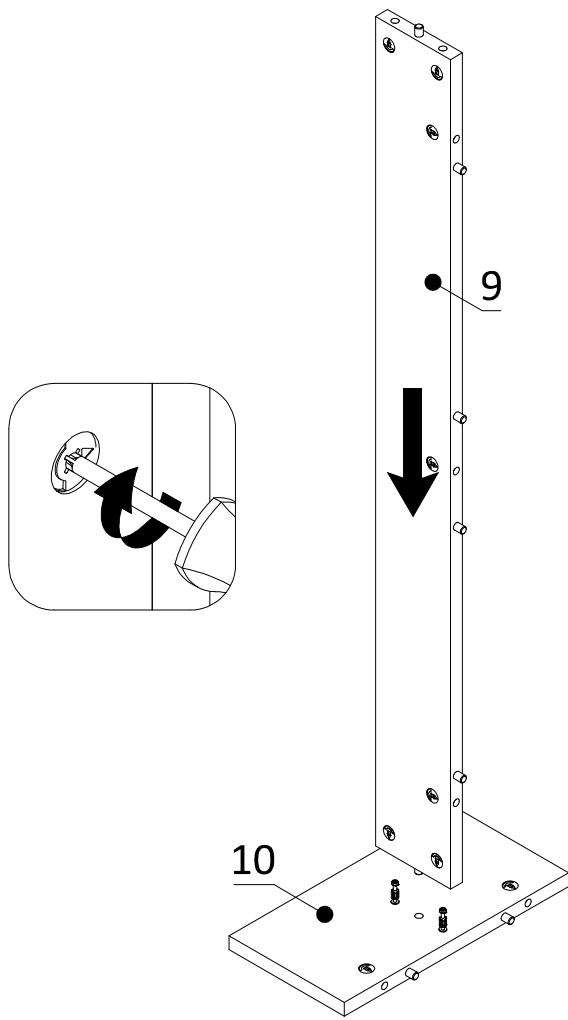


13

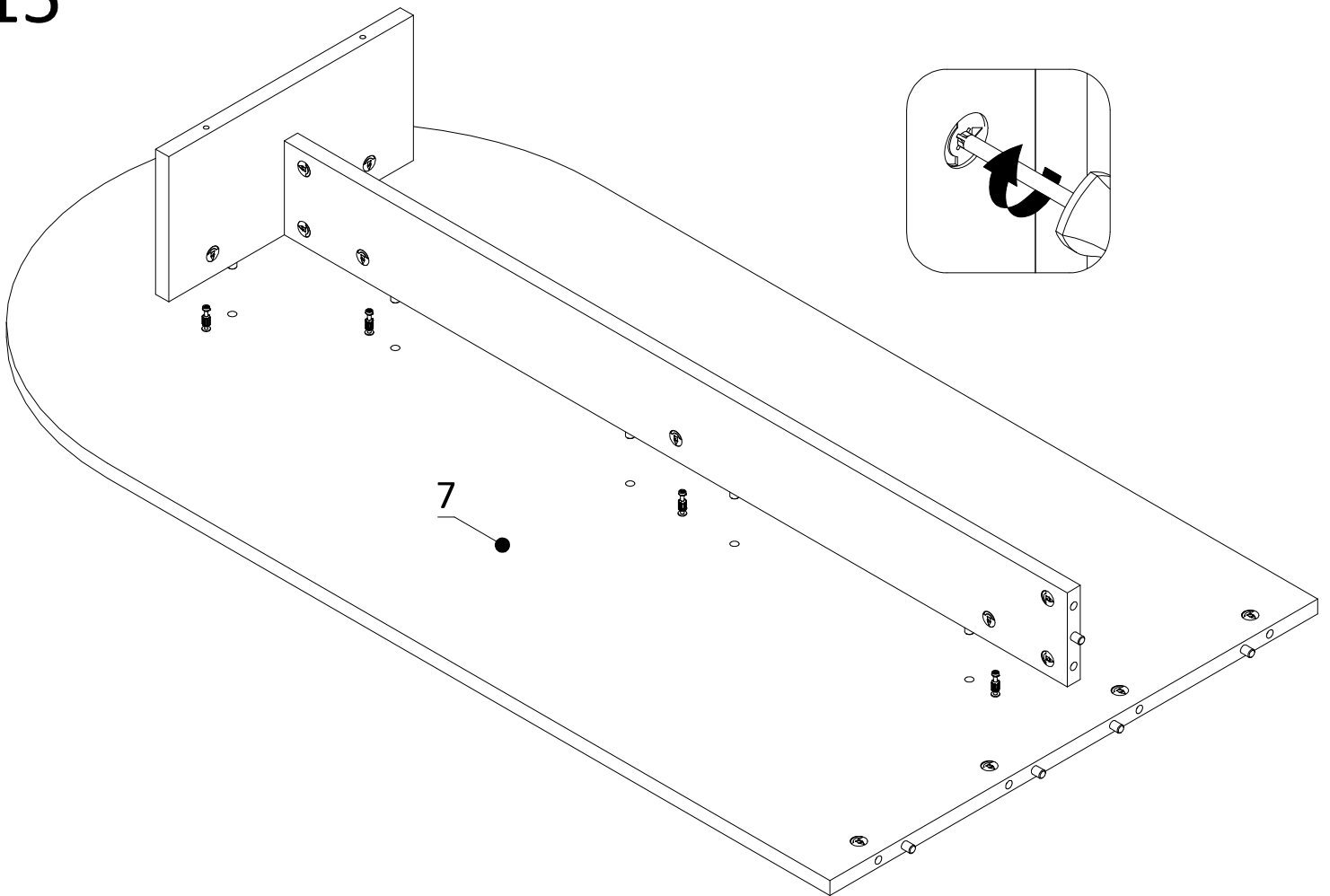


		
K	T	M
8x	2x	9x

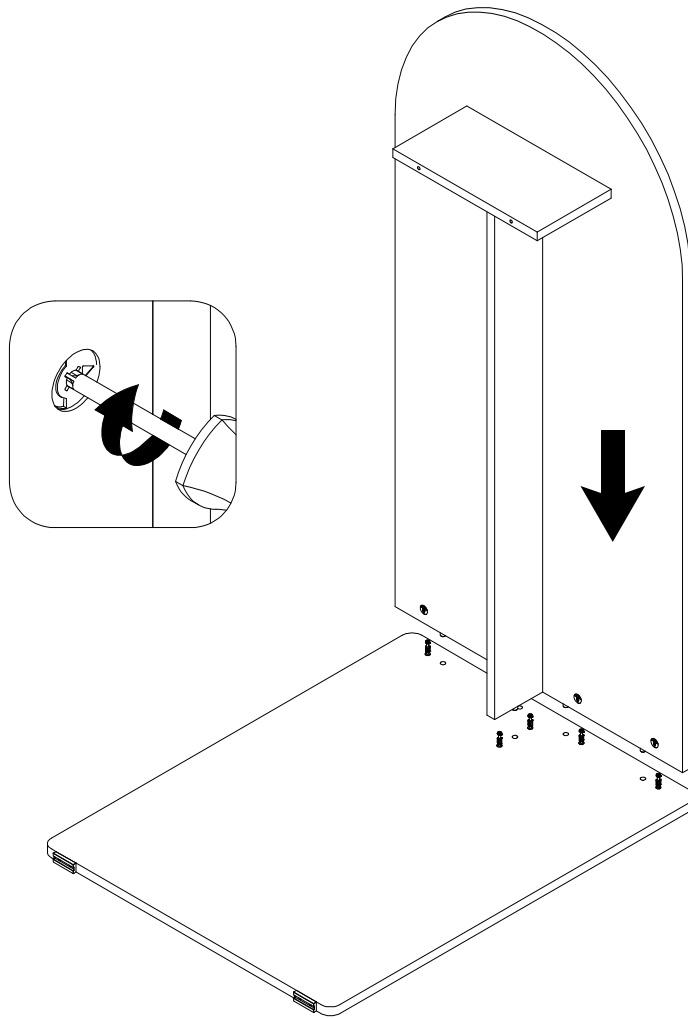
14



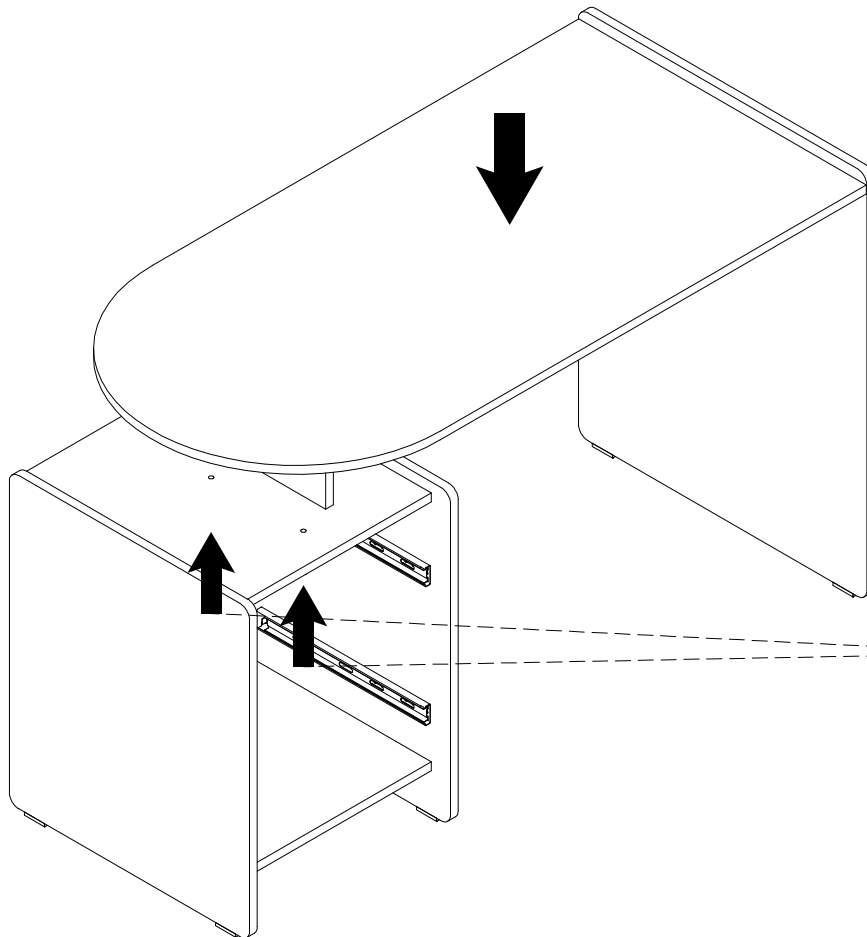
15

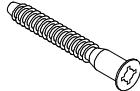
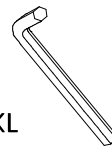


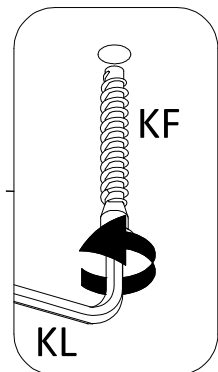
16



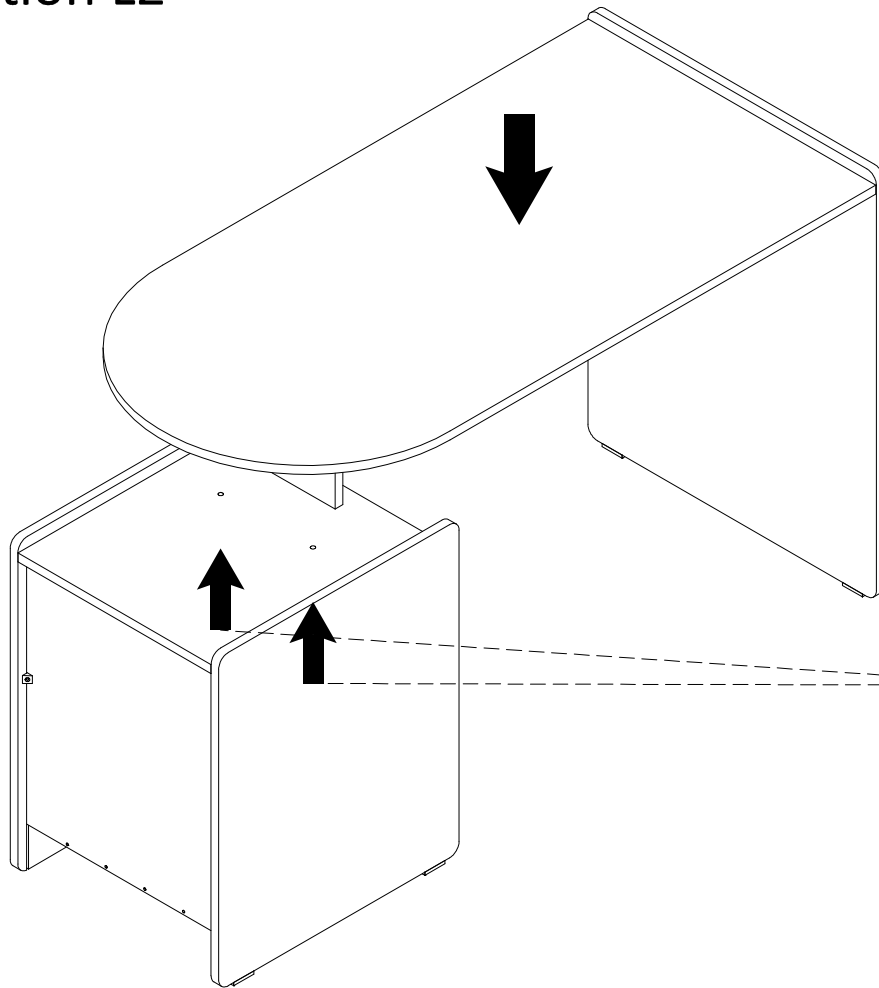
17 Option L

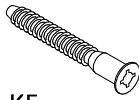
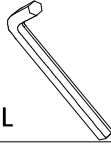


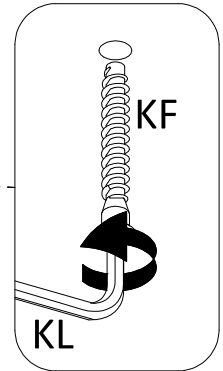
	
KF 2x	KL 1x



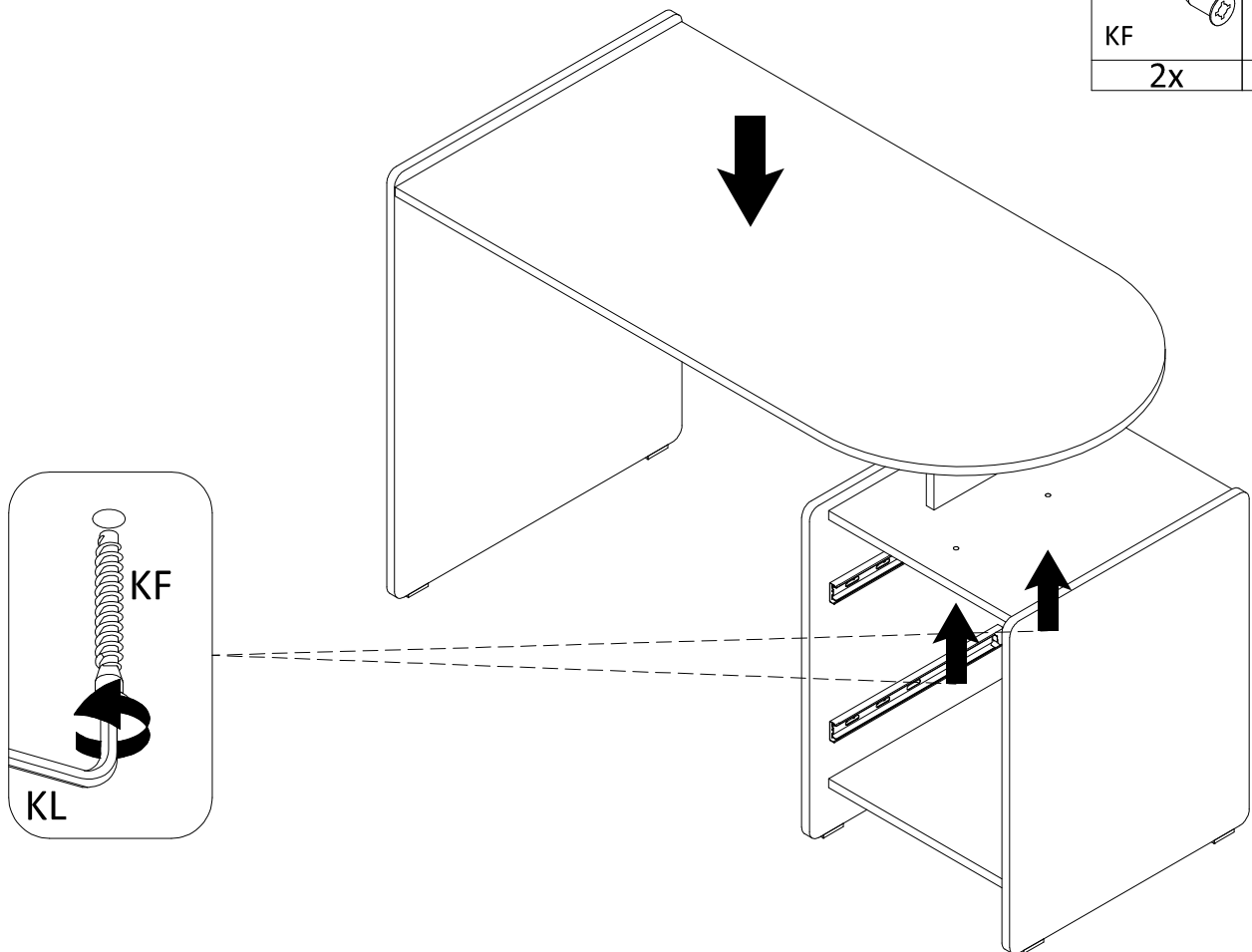
17 Option L2

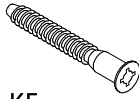
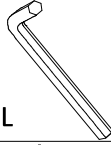


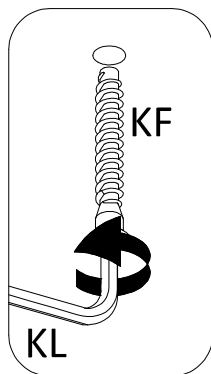
	
KF	KL
2x	1x



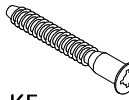
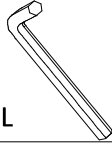
17 Option R

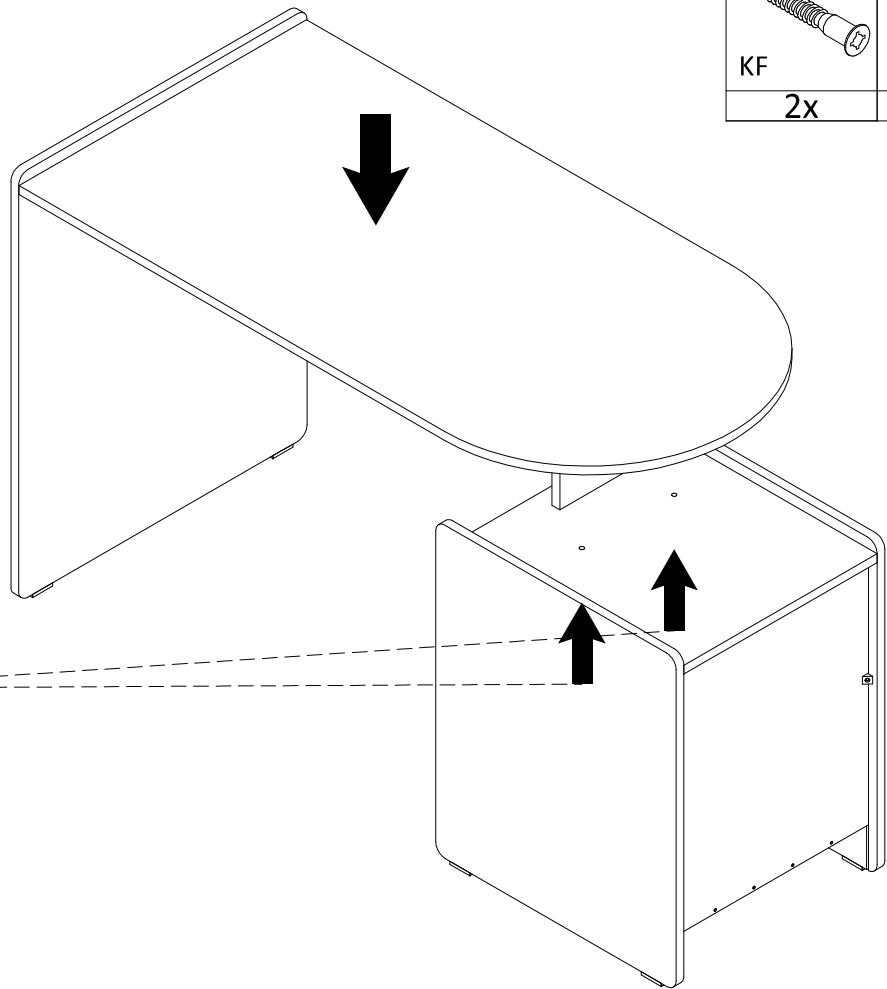
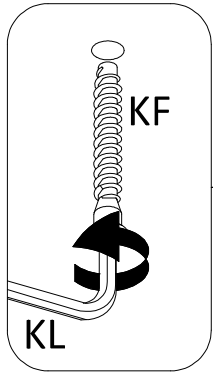


	
KF	KL
2x	1x

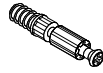
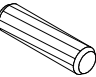


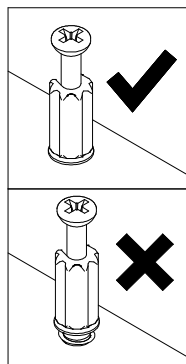
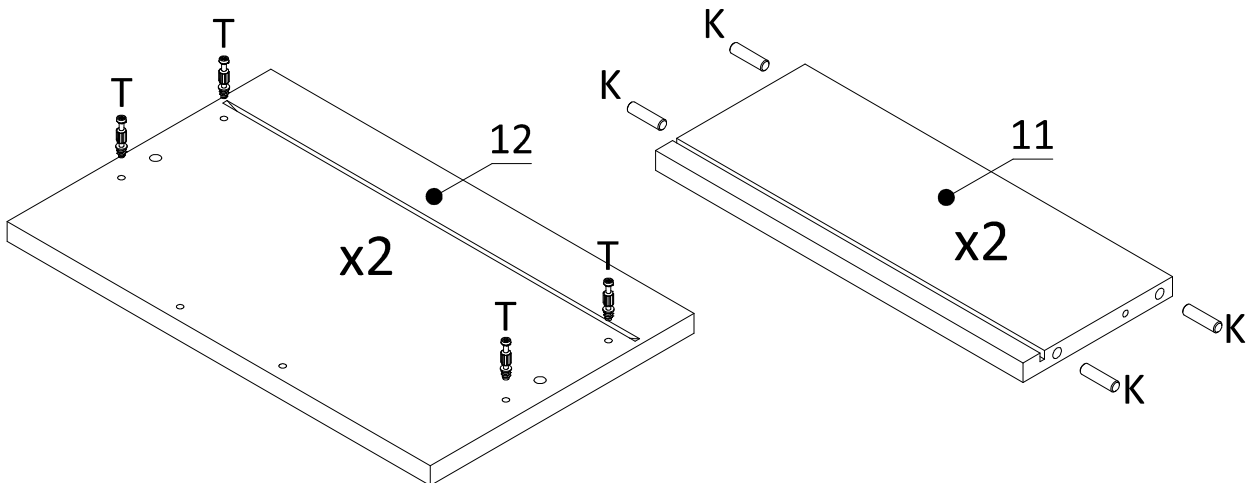
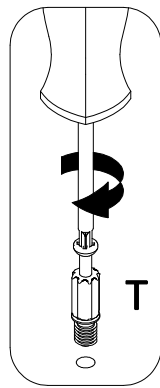
17 Option R2

	
KF	KL
2x	1x

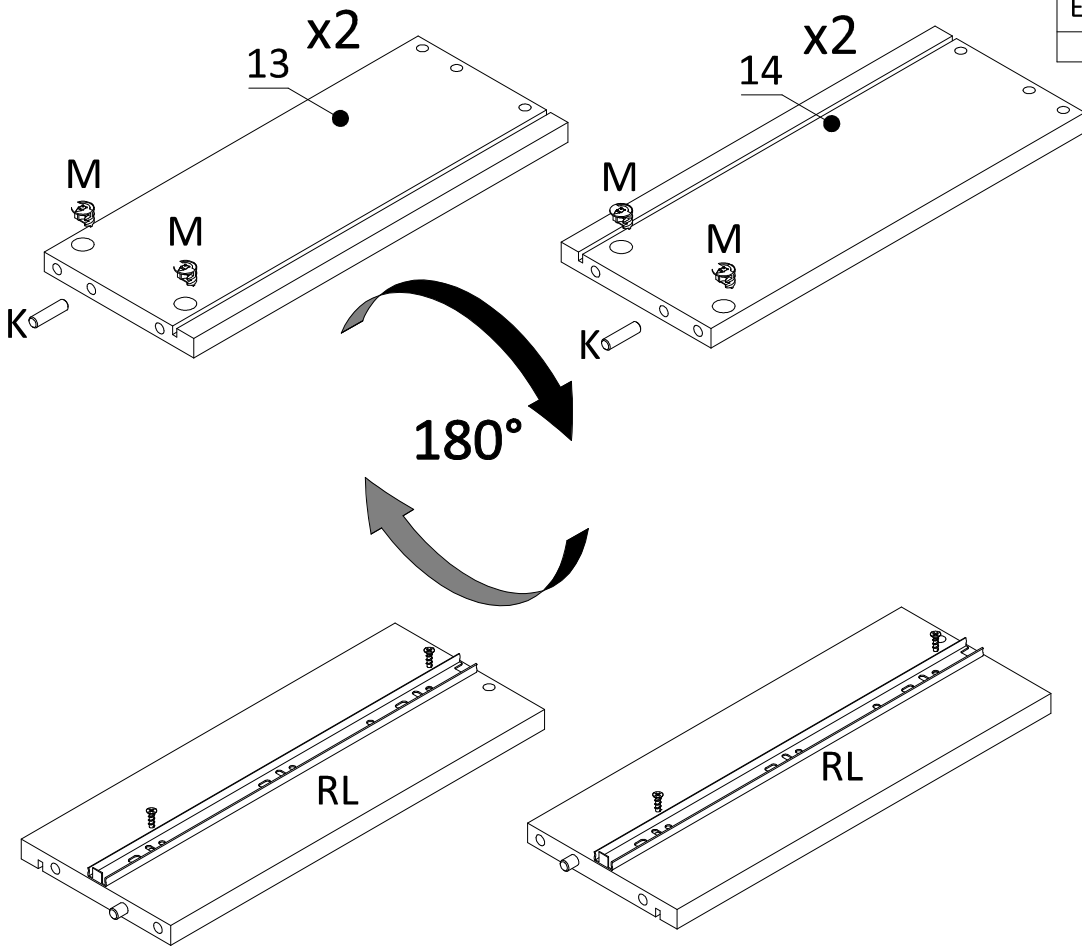




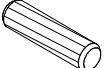
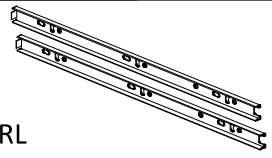
18

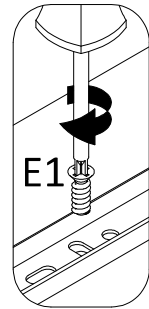
	
T	K
8x	8x



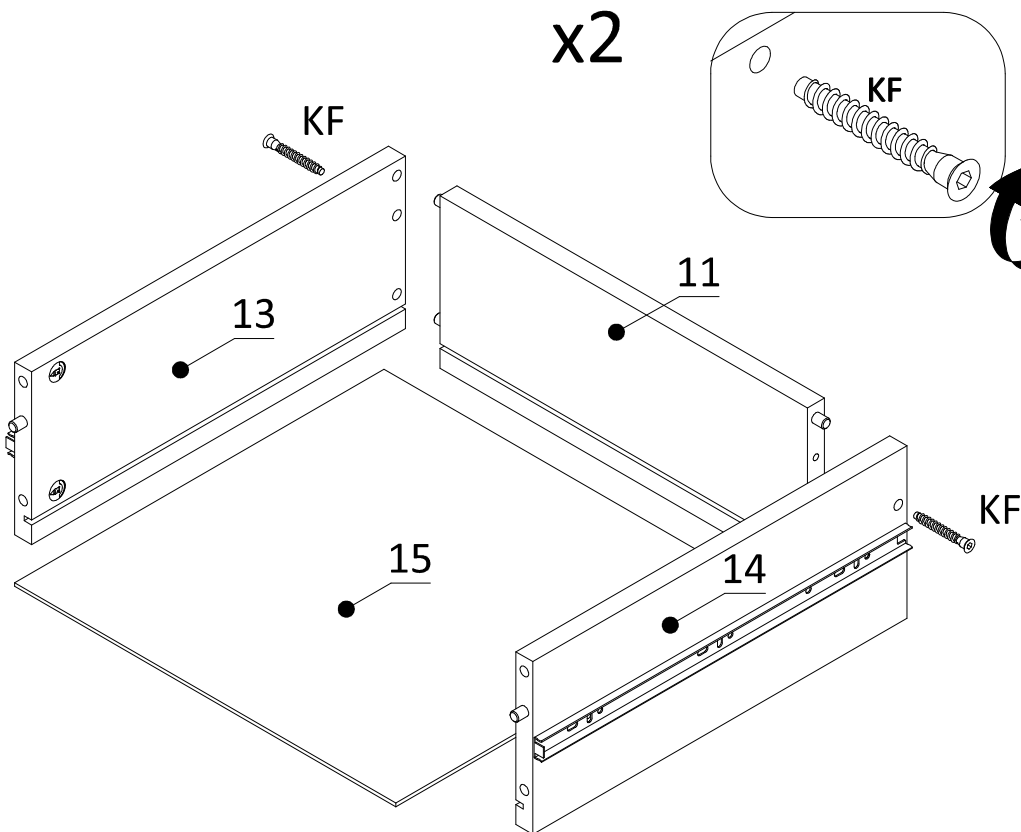
19

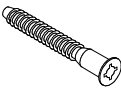
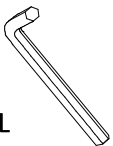


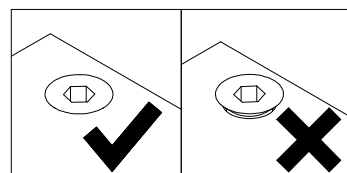
 E1 8x	 M 8x	 K 4x
 RL 2x		



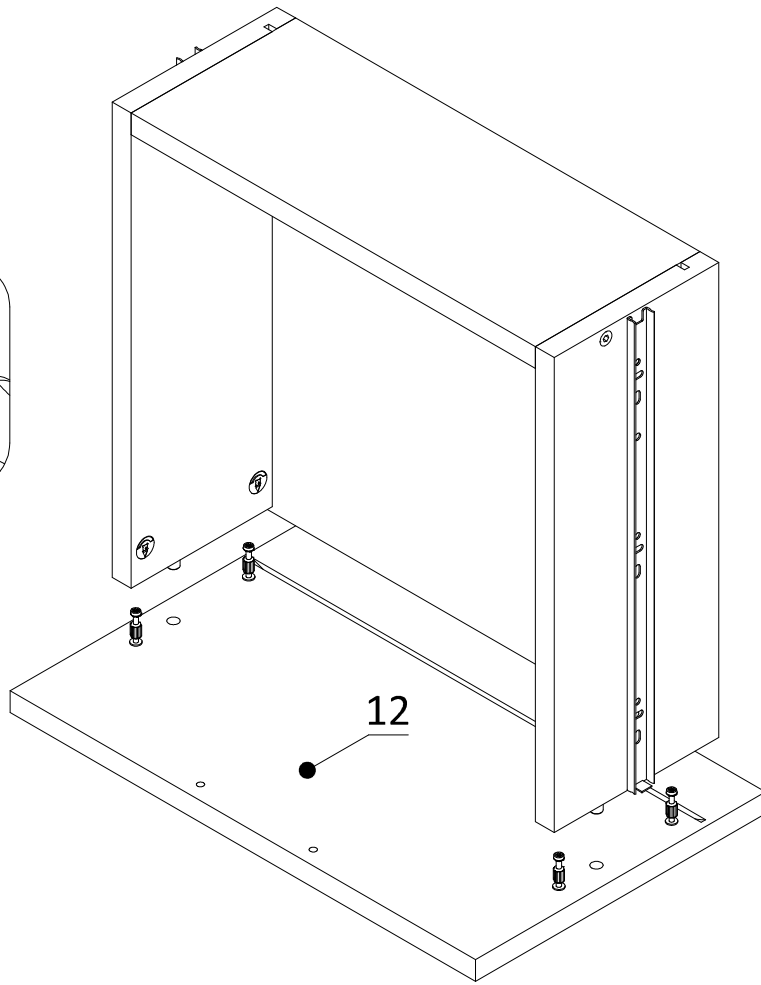
20



 KF 4x	 KL 1x
---	---

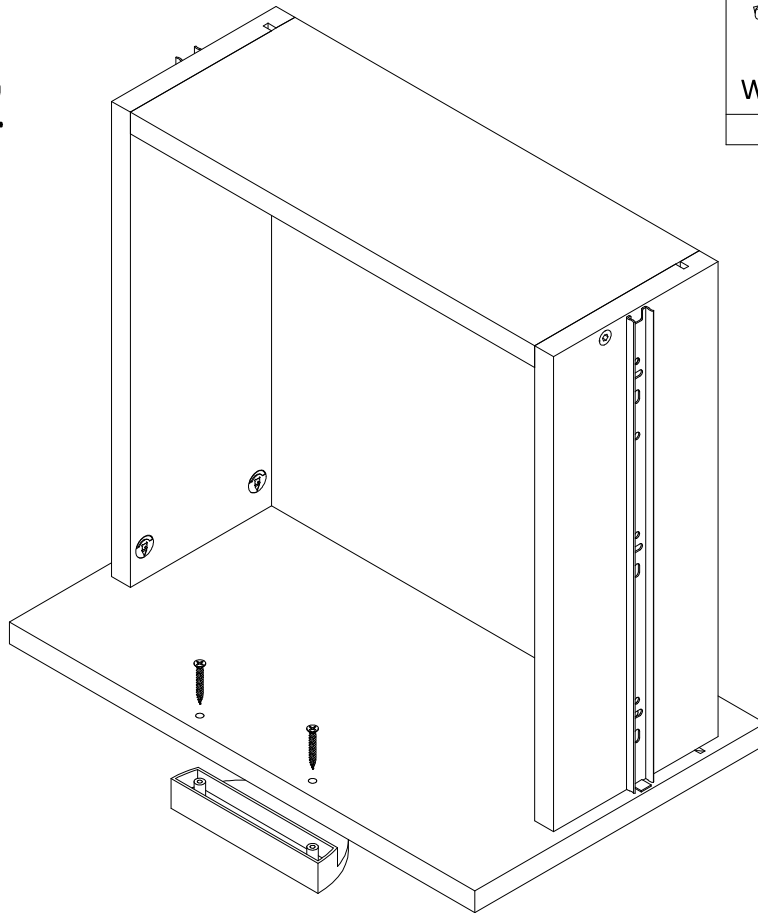
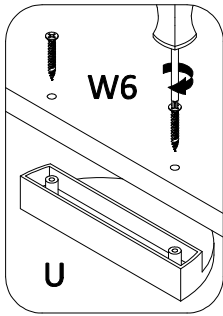



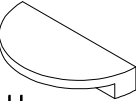
21



22

x2



 W6 4x	 U 2x
---	--

23

